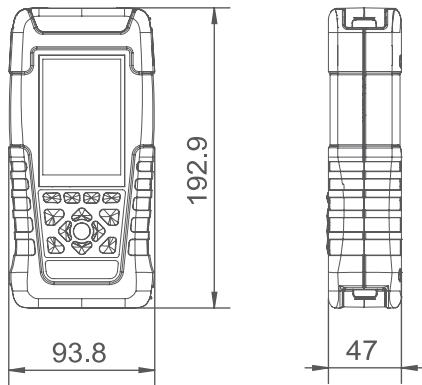






FHO1000 Handheld OTDR

- **SHORT** event and attenuation dead zone
- Handheld design with 3.5-inch color LCD
- Support VFL/OPM/FLM test
- Support RJ45 network cable test



Items	Specifications
Wavelength	1310±20nm/1550±20nm
Dynamic Range	≥24dB
 Event Dead-Zone	≤1m
 Attenuation Dead-Zone	≤5m
IOR Setting	1.30000~1.70000
Pulse Width	3ns/5ns/10ns/20ns/50ns/100ns/200ns/500ns/1us/2us/5us/10us/20us
Sampling Points	64000
Sampling Resolution	Min 0.05m
Distance Accuracy	±0.5m
Loss Accuracy	0.1dB
Linearity	0.1dB
Reflectance Accuracy	±2dB
Optical Port	FC/UPC , SC/UPC
Working Humidity	0 ~85%(Non-Condensing)
Working Temp	-10~+50°C

